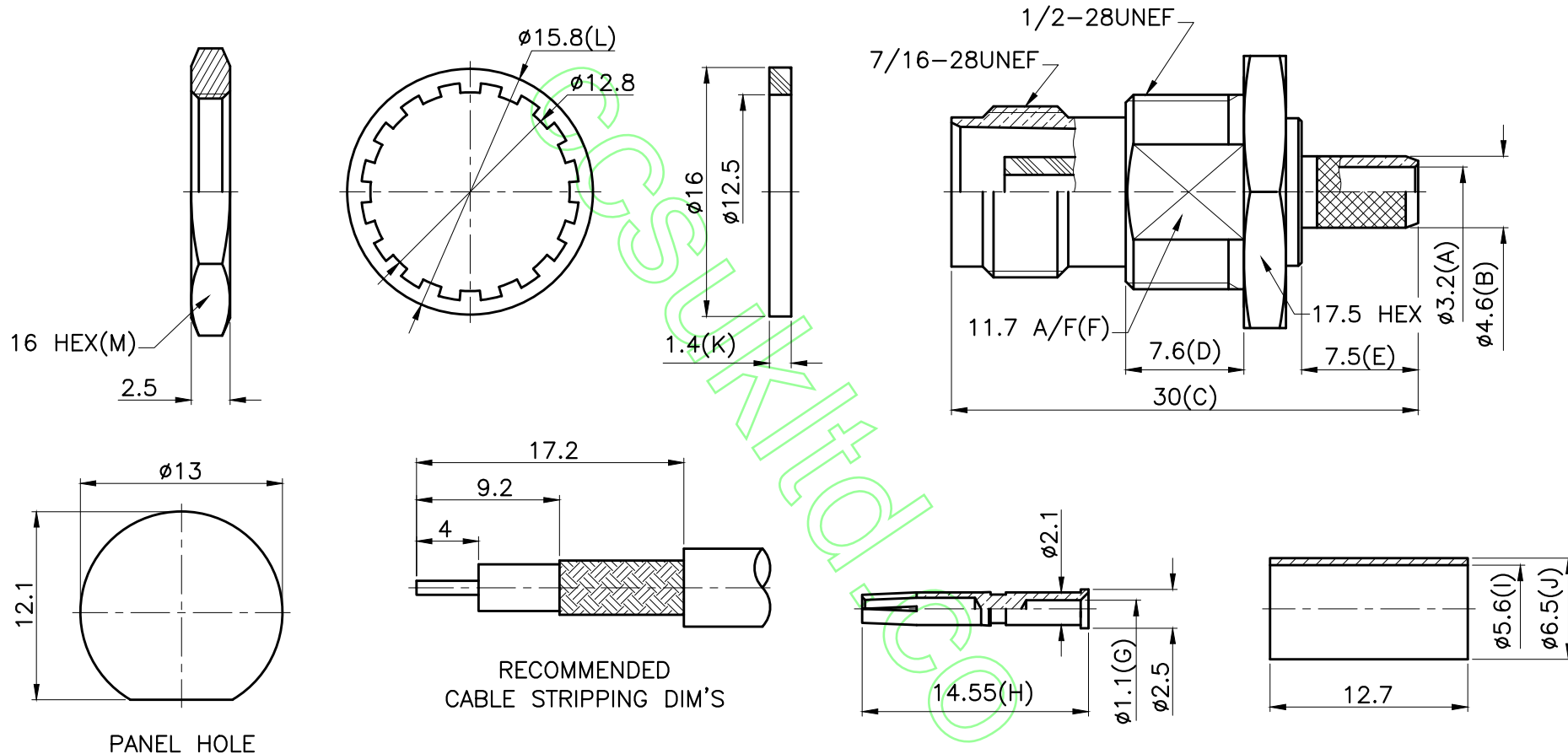


ISS		REVISIONS
		DESCRIPTION \ DATE

RoHS COMPLIANT



CONNECTORS CABLES



SPECIALISTS LTD.

TITLE: BNC FEMALE BULKHEAD CRIMP
(FOR RG58)

PART NO: TBJCR58

030

DRAWING NO:

APRD:	UNLESS OTHERWISE SPECIFIED TOLERANCES 0.5-6 = ±0.2 >6-30 = ±0.4 >30-120 = ±0.6 >120-315 = ±1 >315-1000 = ±1.6 ANGLES = ±5°	NUT	BRASS	NICKEL
CHKD:		WASHER	STEEL	NICKEL
DR:		GASKET	RUBBER	RED
DATE: 11/24/20"	UNIT: mm	FERRULE	BRASS	NICKEL
SHEET: .	SCALE: 2.5/1	CONTACT PIN	BRASS	GOLD
		LOCK WASHER	BRASS	NICKEL
		INSULATOR	DELRIN	WHITE
		BODY	BRASS	NICKEL
		NO. DESCRIPTION	MATERIAL	FINISH